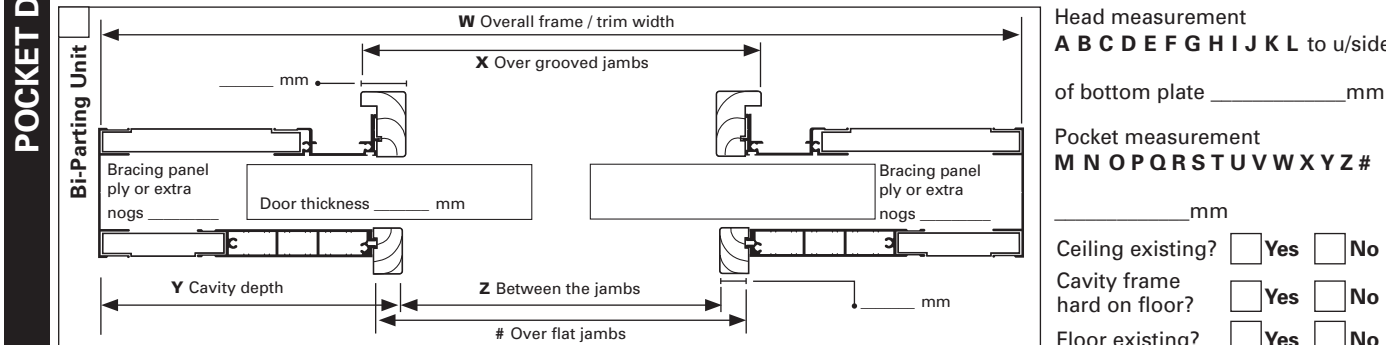
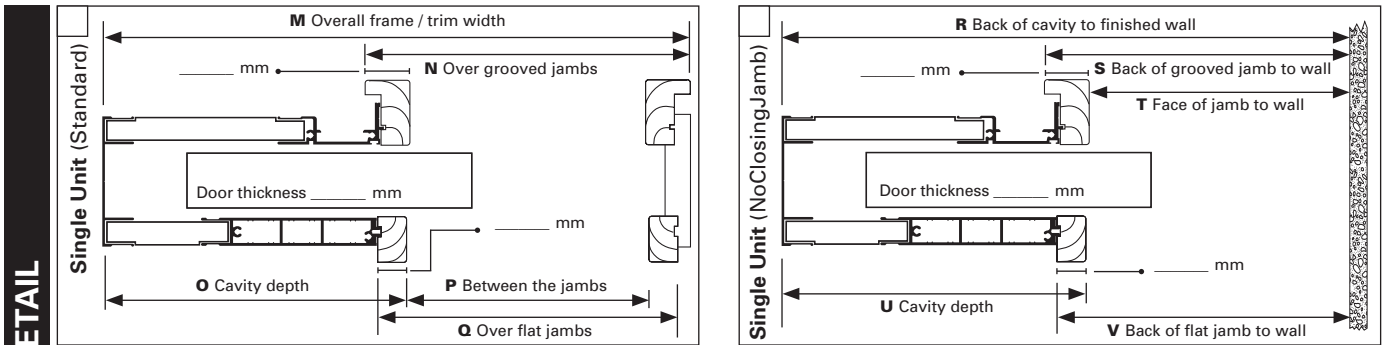
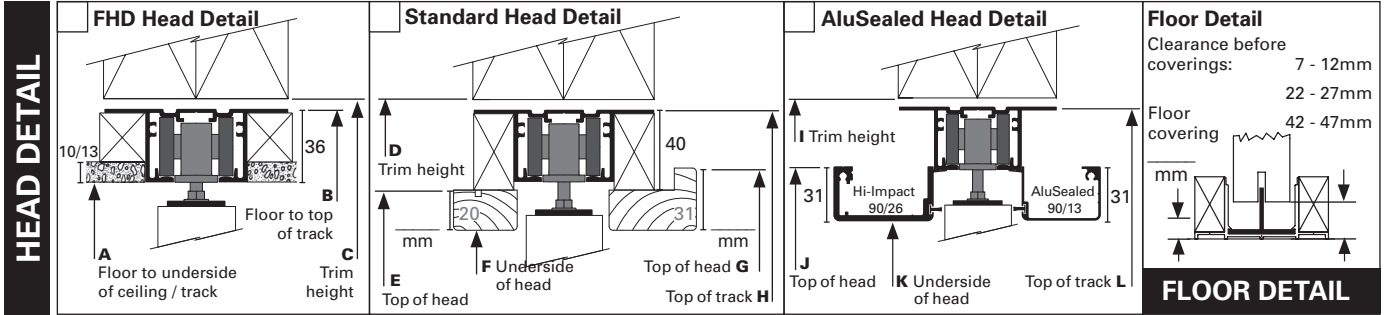
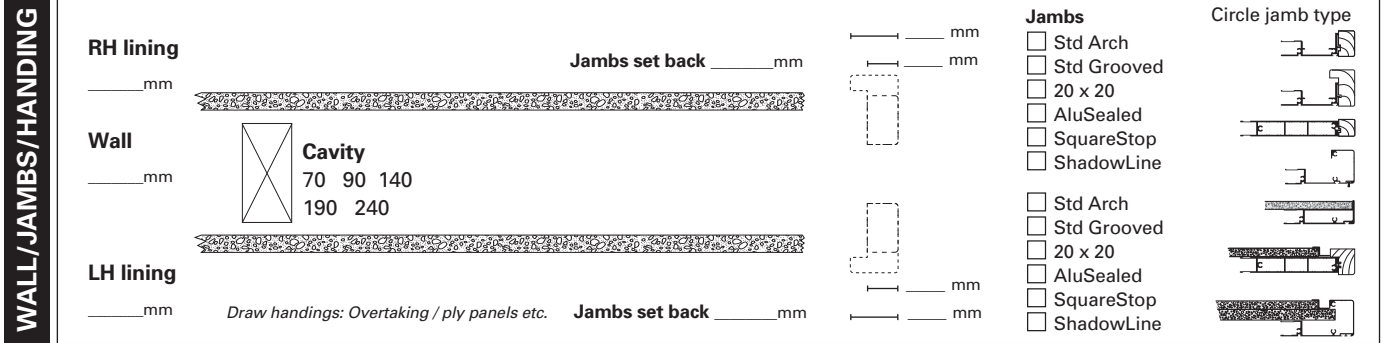


Date _____ Door location _____
 Customer _____
 Site _____
 Contact _____

CS Rep _____ CS Internal _____
 Measured from quote SA _____



SofStop®
 Soft close Soft Open BRACEWALL (Indicate ply handing) PLY PANEL (Indicate ply handing) SOUNDSTOP



Site Access

OK Track Off
 Site Assembly Hiab

Final Measure

Second Measure Required
 This measure is final (once price confirmed)

Please contact your rep or your nearest office for job progress enquiries.

Other Detail

Door type _____
 Glass _____
 Powder coated jambs _____ Door _____
 Hardware Y / N Type _____
 CS Fitting H/W Y / N Height _____
 Other unknown detail (from above) _____

Who will finalise:

Rep	Internal