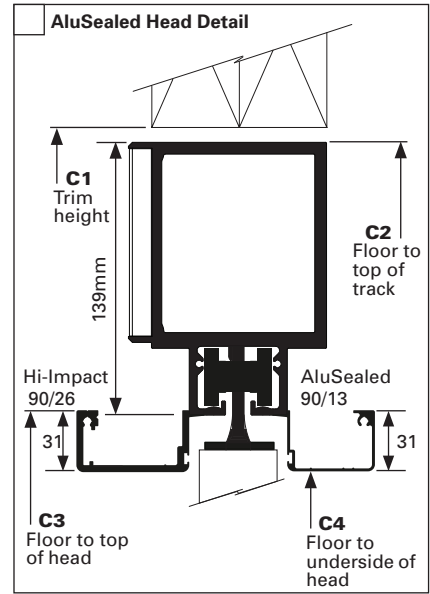
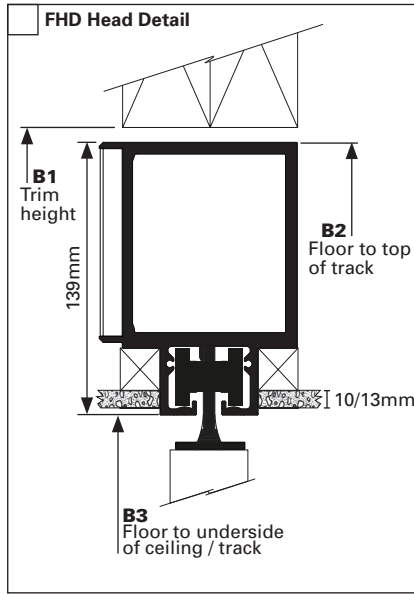
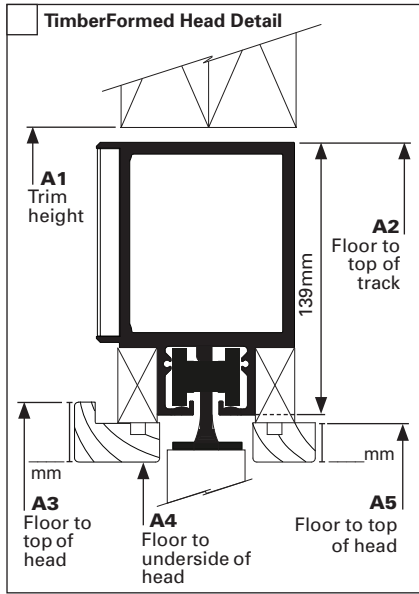


Customer \_\_\_\_\_  
 Rep initials \_\_\_\_\_ Date \_\_\_\_\_  
 Address/contact \_\_\_\_\_  
 Door location \_\_\_\_\_



Only one Door per Form

Please match one of the Head Detail drawings with one of the Plan View drawings.



Critical height dimension agreed: **A1 A2 A3 A4 A5 B1 B2 B3 C1 C2 C3 C4** (Circle one only) is: \_\_\_\_\_ mm.

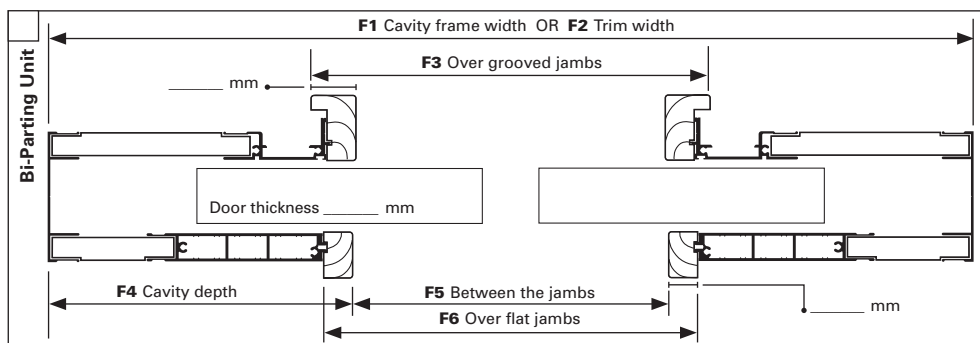
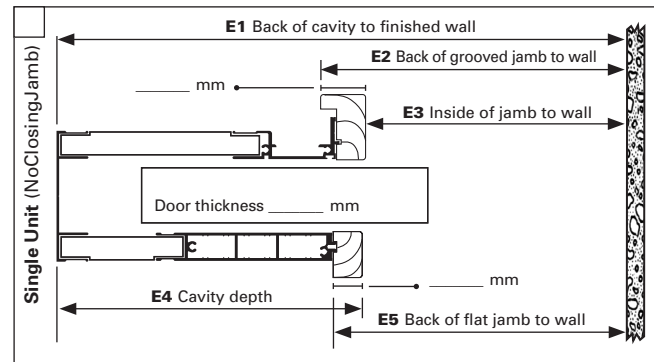
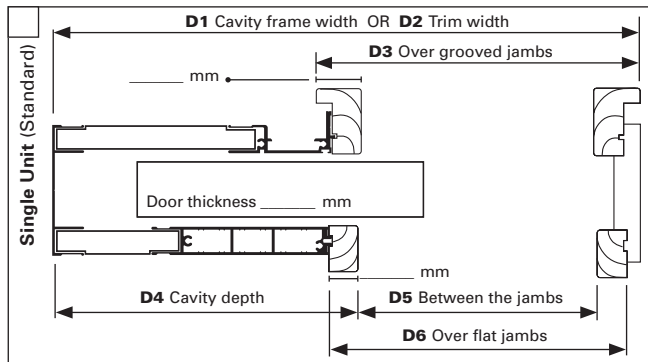
**Flooring**

Will cavity frame sit hard on top of the floor?  Yes  No  
 Is the floor existing at time of site measure?  Yes  No  
 Proposed thickness of floor covering = \_\_\_\_\_ mm  
 Is a gap under the door of 25mm (before floor coverings) acceptable?  Yes  No

**Wall configuration**

10/90/10  13/90/13  26/90/26  Other \_\_\_\_\_  
 Is ceiling batten in place?  Yes  No  
 Is framing / resizing required on site?  Yes  No  
 Dimensions given by builder (not measured)  Yes  No

Add \_\_\_\_\_ mm (max 15) to door height **OR** reduce cavity height by \_\_\_\_\_ mm (max 15) to reduce under door gap.



Mutually Agreed Critical Measurement of Dimension:

**D1 D2 D3 D4 D5 D6**  
**E1 E2 E3 E4 E5**  
**F1 F2 F3 F4 F5 F6**

(Please circle one only)

is: \_\_\_\_\_ mm.