

Create a unique solution to your requirements by incorporating CS Detail Options into your design.

Standard Jamb

Our cavity sliders come with a choice of different jamb detail options to match your desired look. The standard option is pine jambs - either Architrave or Grooved.

Architrave



Flat jambs ready for architraves to be fitted over the top

Grooved



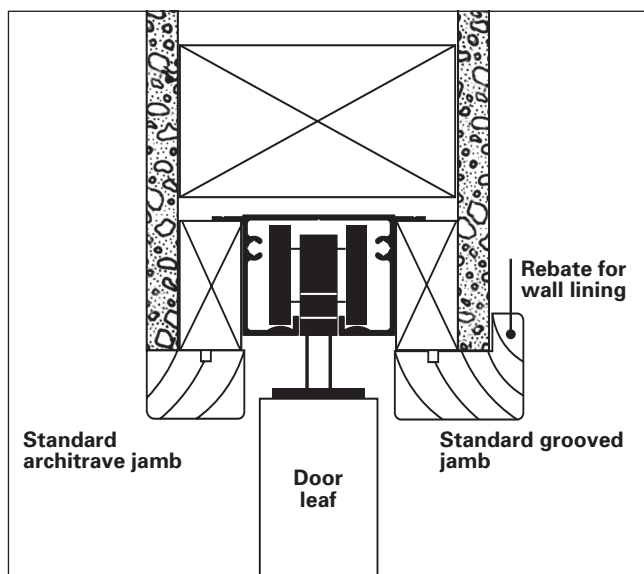
Jambs with a rebate for the wall linings

Custom Jamb

Custom jambs are available on request. These may be manufactured from another species of timber such as Oak or Rimu, or extra wide on one or both sides to match specific detail on site.

Technical Detail

Elevation



Plan View

