

ActaLink™ Door joining system

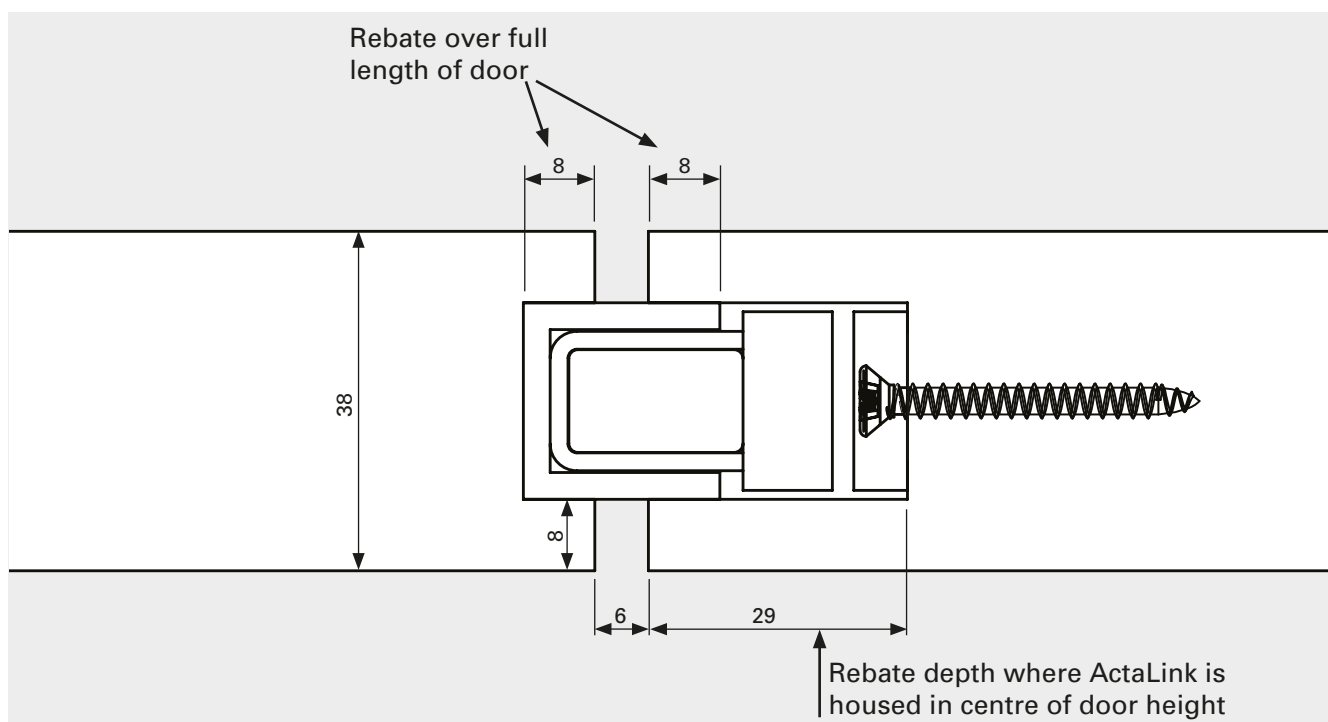
The **CS ActaLink** is an active linking system designed to join two or more doors together with a neat negative detail. This allows for an over-width timber door to be created on site using two or more door leaves with less chance of the finished door cupping or bowing. Should one panel warp or bow, this is then far more cost effective to replace.

The ActaLink system is easy to fit with a router on site or in our factory. It is a cost effective solution to unreliable oversized timber doors in cavity pockets, or where a large sliding timber door makes delivery in one piece impossible.

Note: Not to be used in secure applications.



1 - Joined panels have a neat negative detail at the join.



Features

- ▮ Pivoting link system allows doors to move with variances in track installation
- ▮ Aluminium channel finishes neat negative detail.
- ▮ Doors up to 3.5m high may be joined using this method.

Drawings & pictures are not to scale. All dimensions in millimetres.

info@csfordoors.co.nz
www.csfordoors.co.nz

Bay of Plenty / Waikato
T 07 928 0800
F 07 928 2525

Christchurch
T 03 348 6158
F 03 348 6150

Wellington
T 04 473 9994
F 04 473 9995

Another quality product from:

CS FOR DOORS
Auckland Head Office
T 09 276 0800
F 09 276 2525